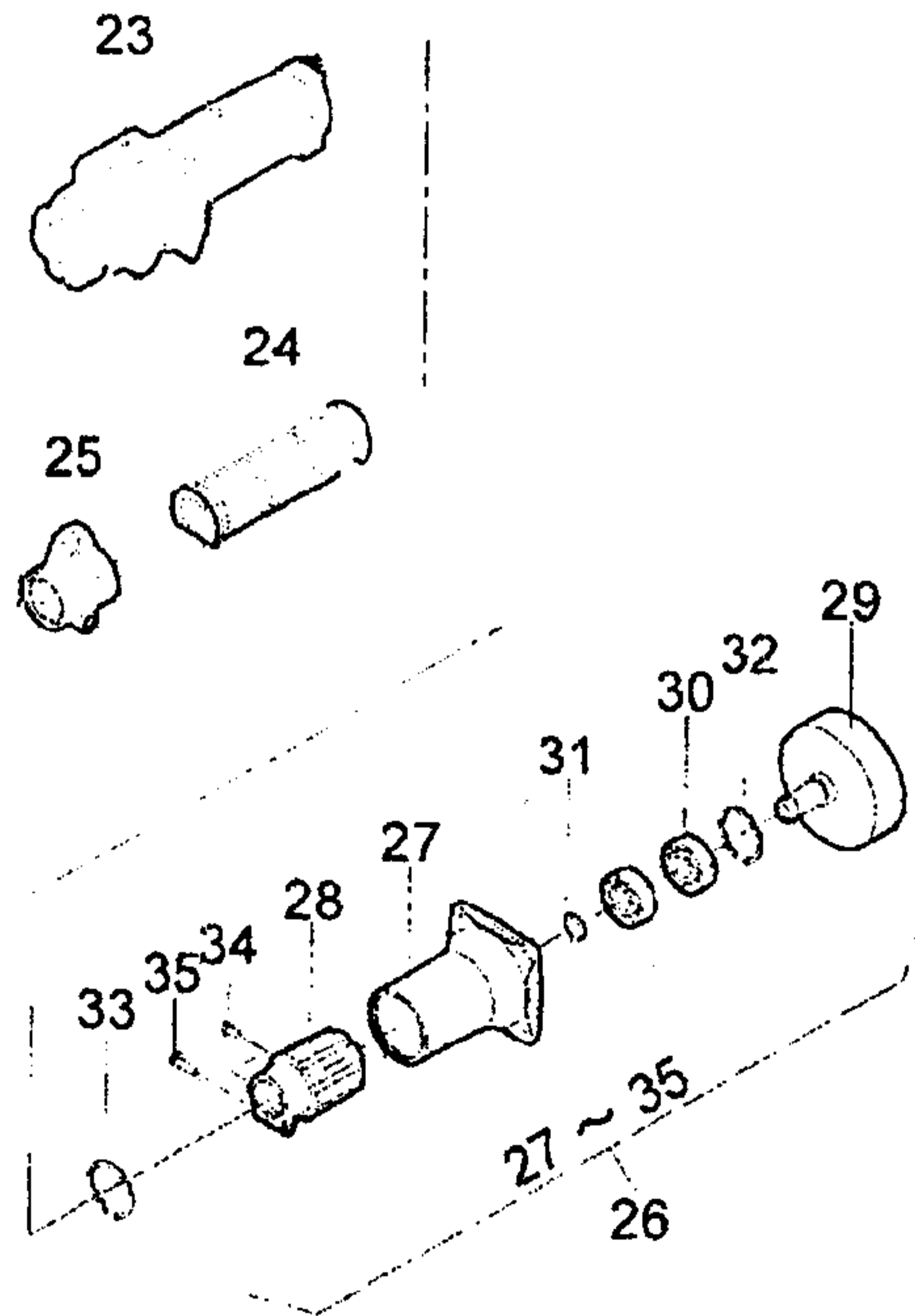
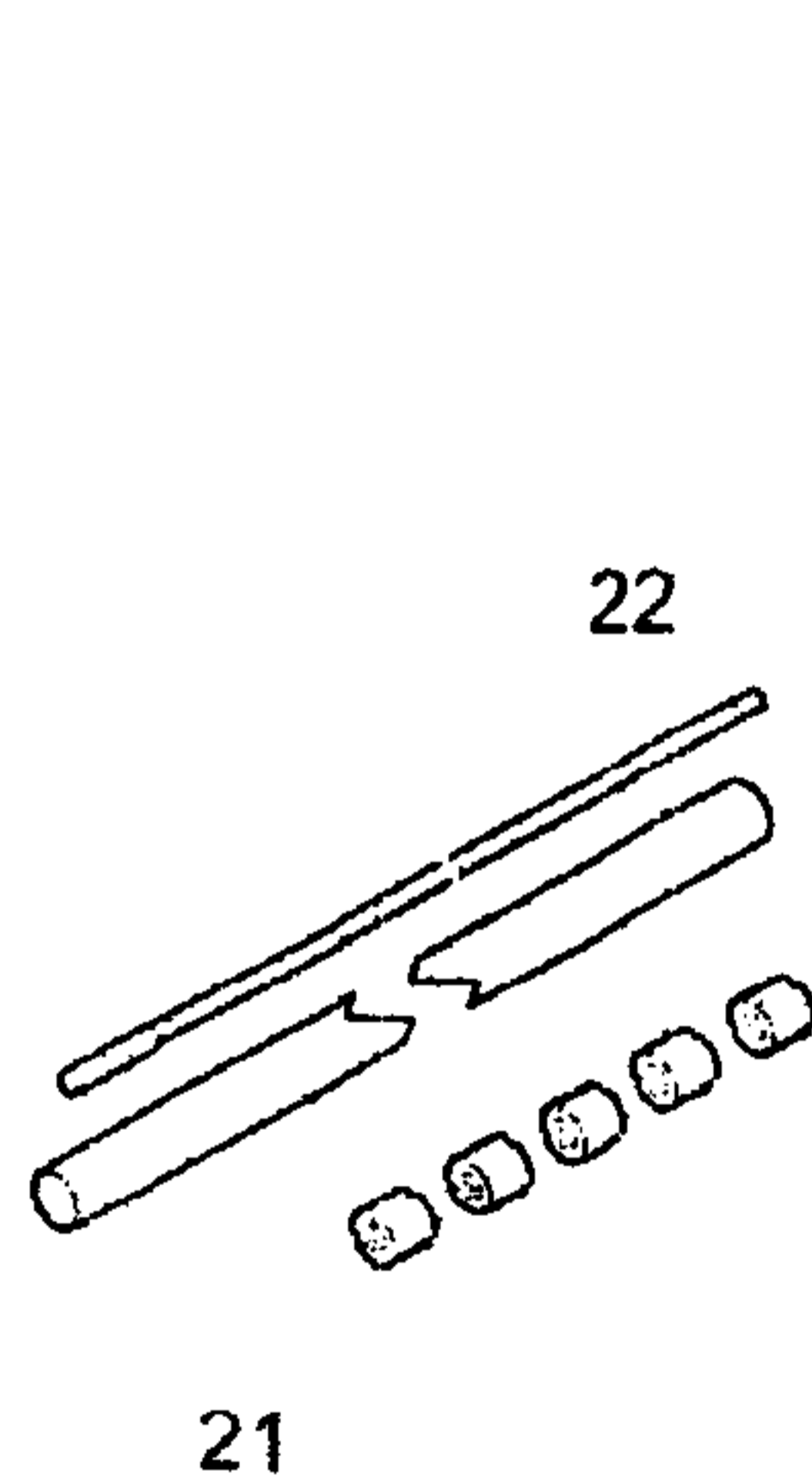
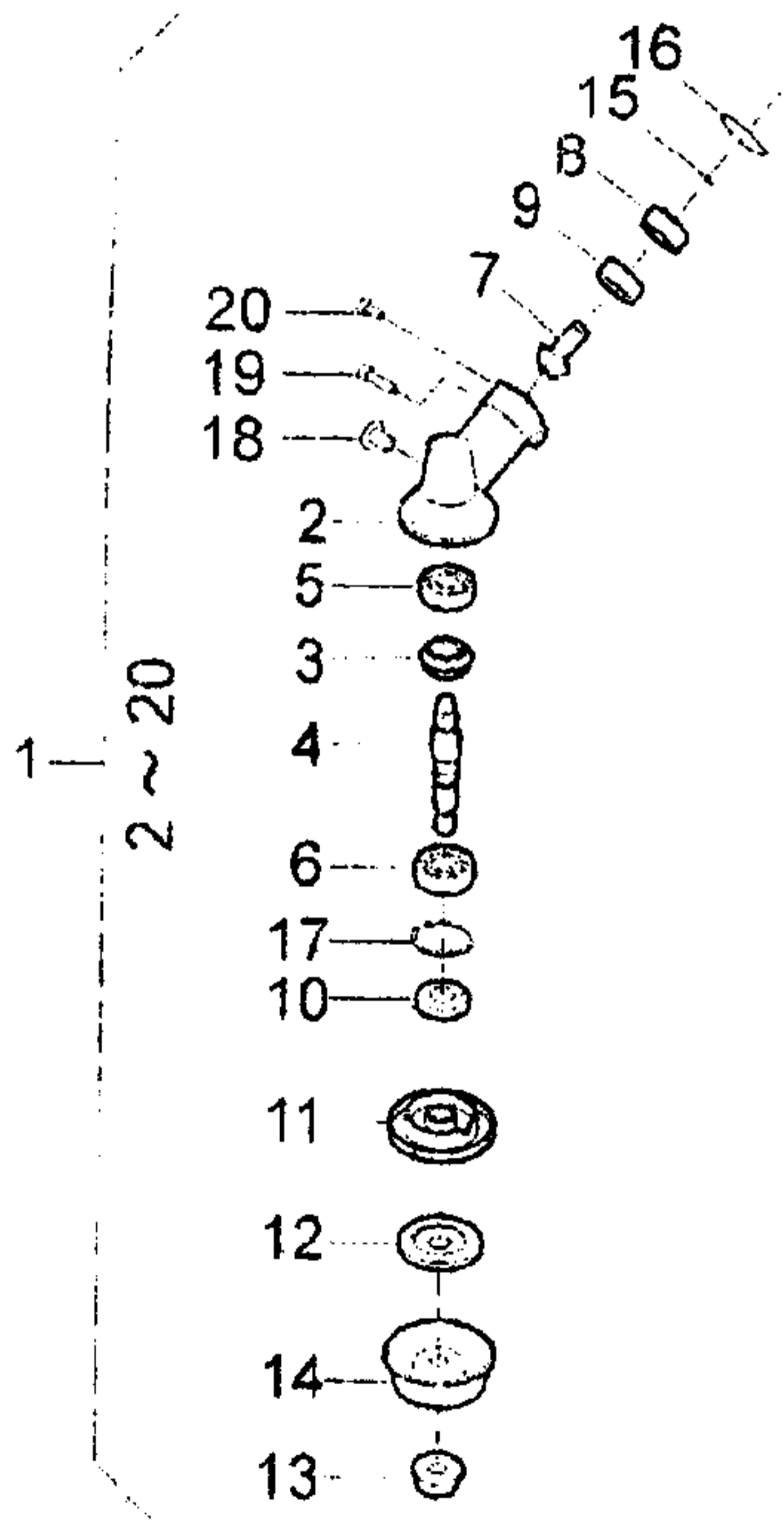


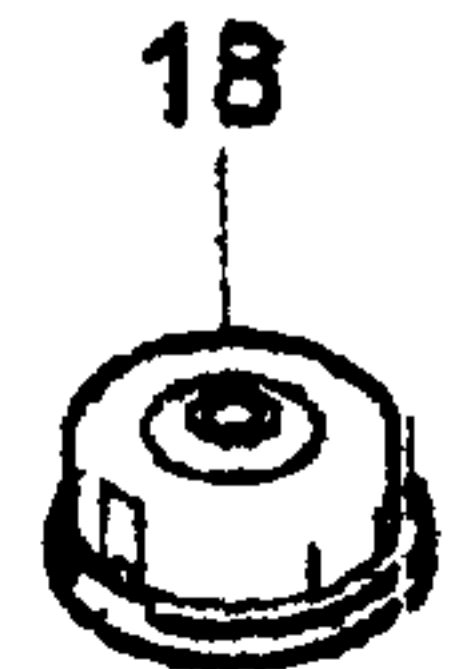
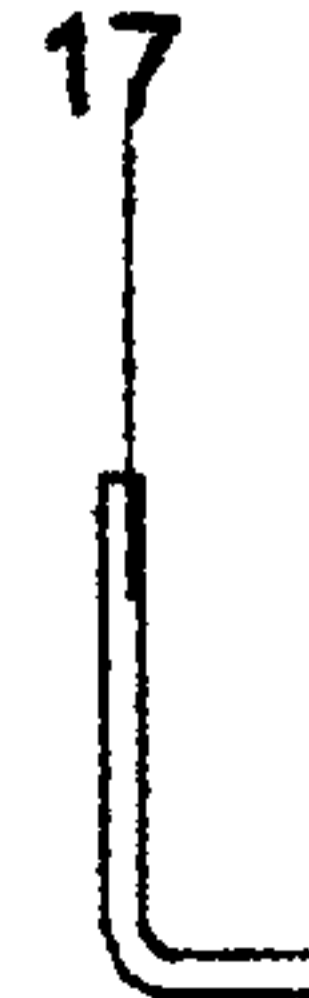
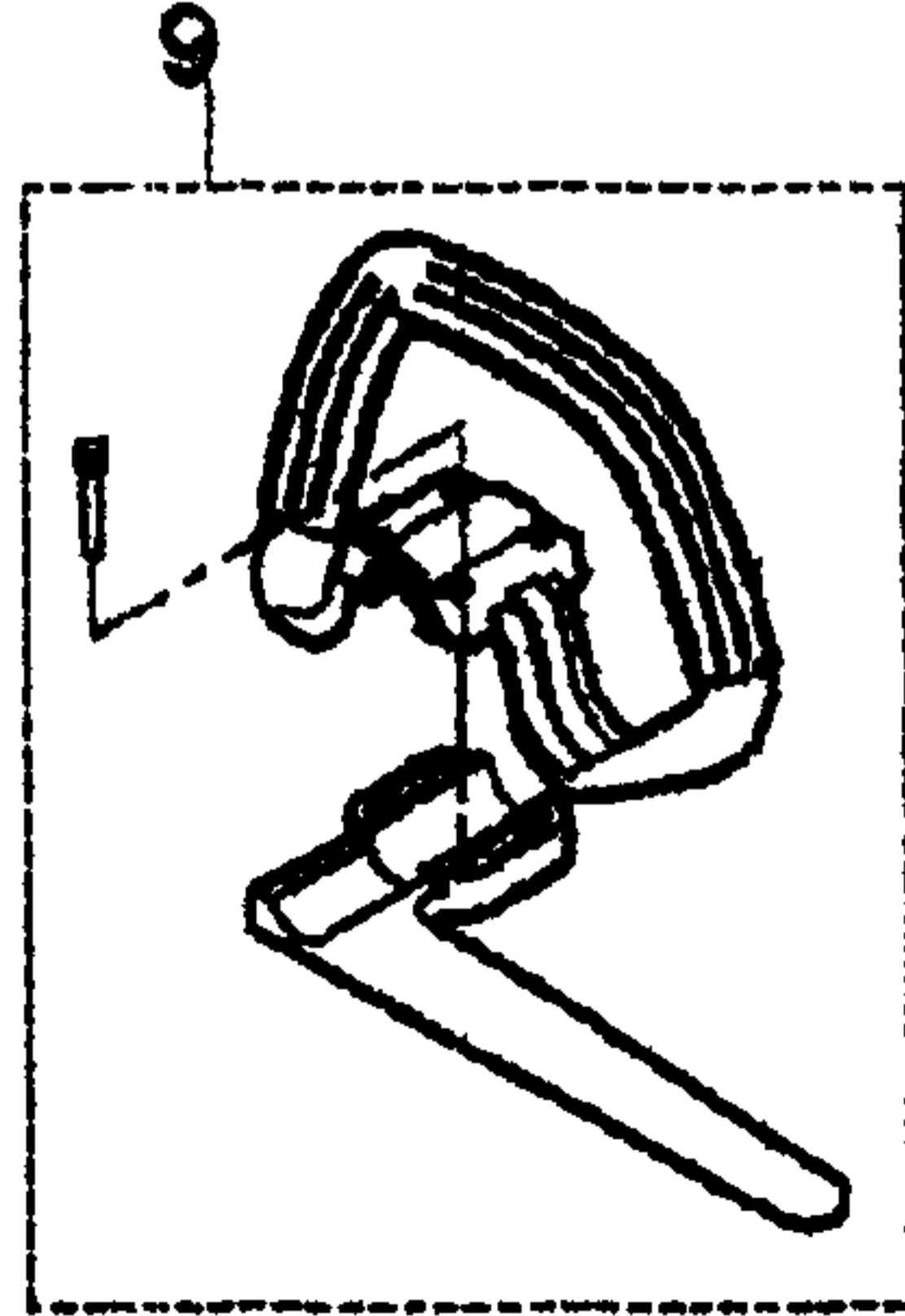
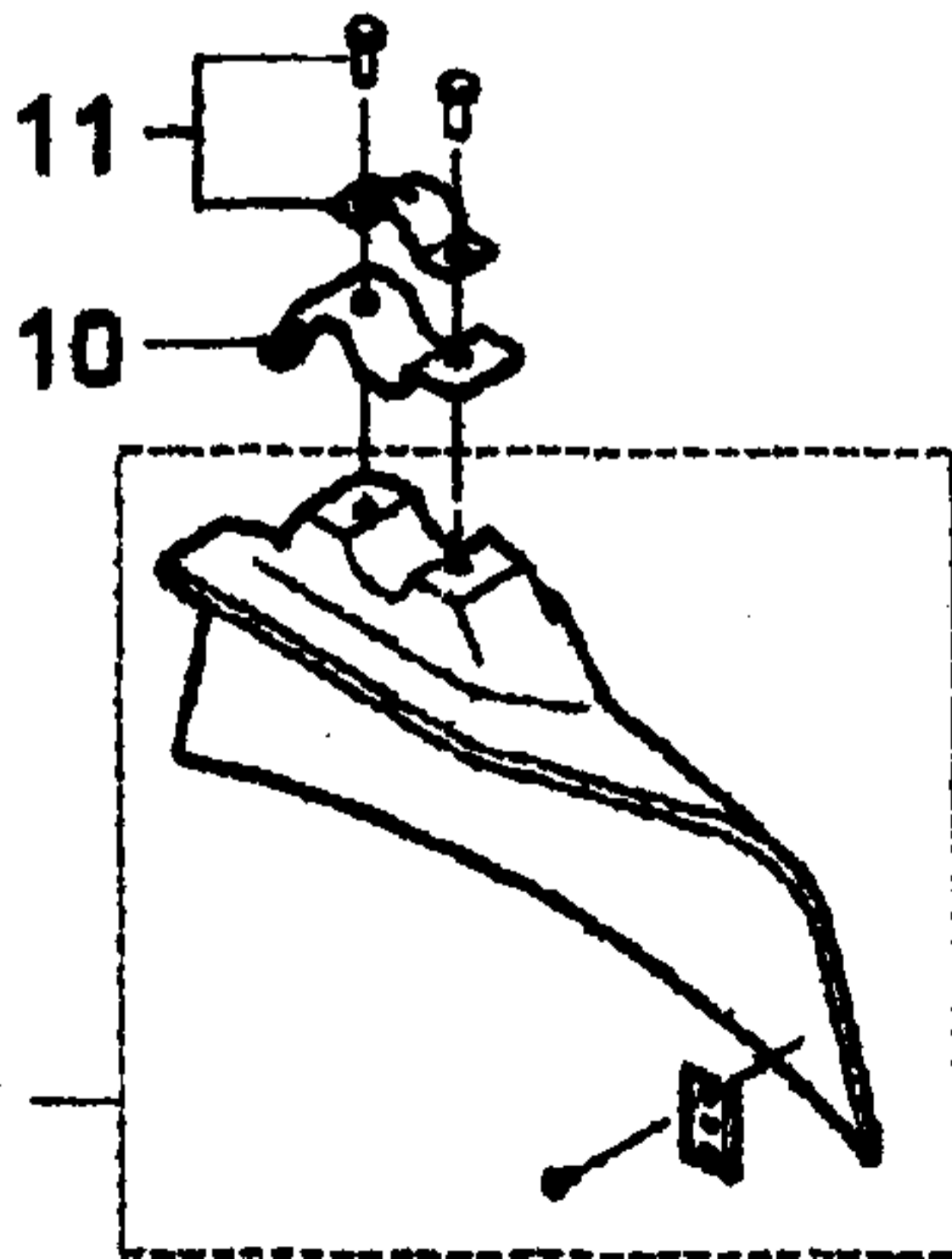
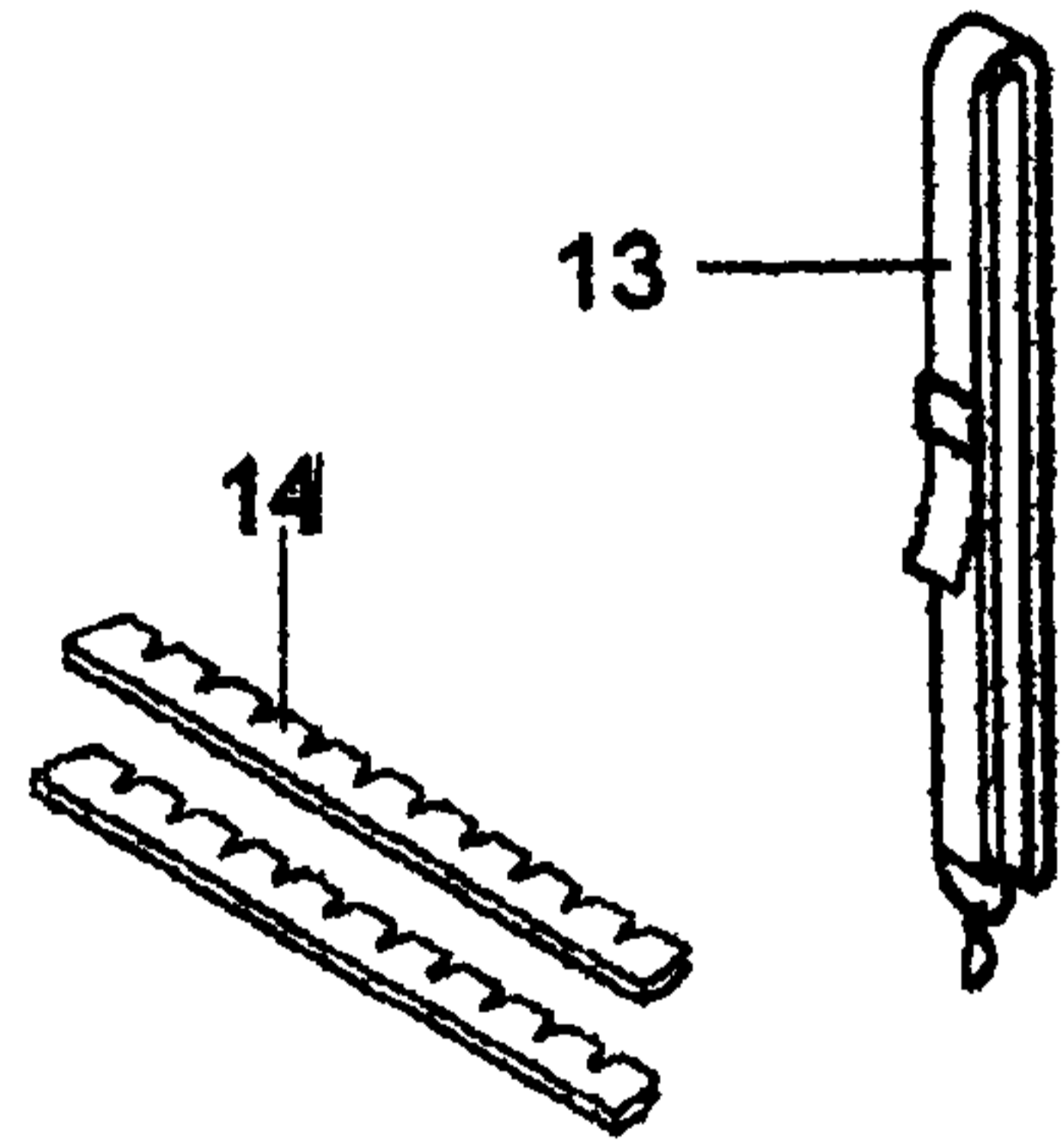
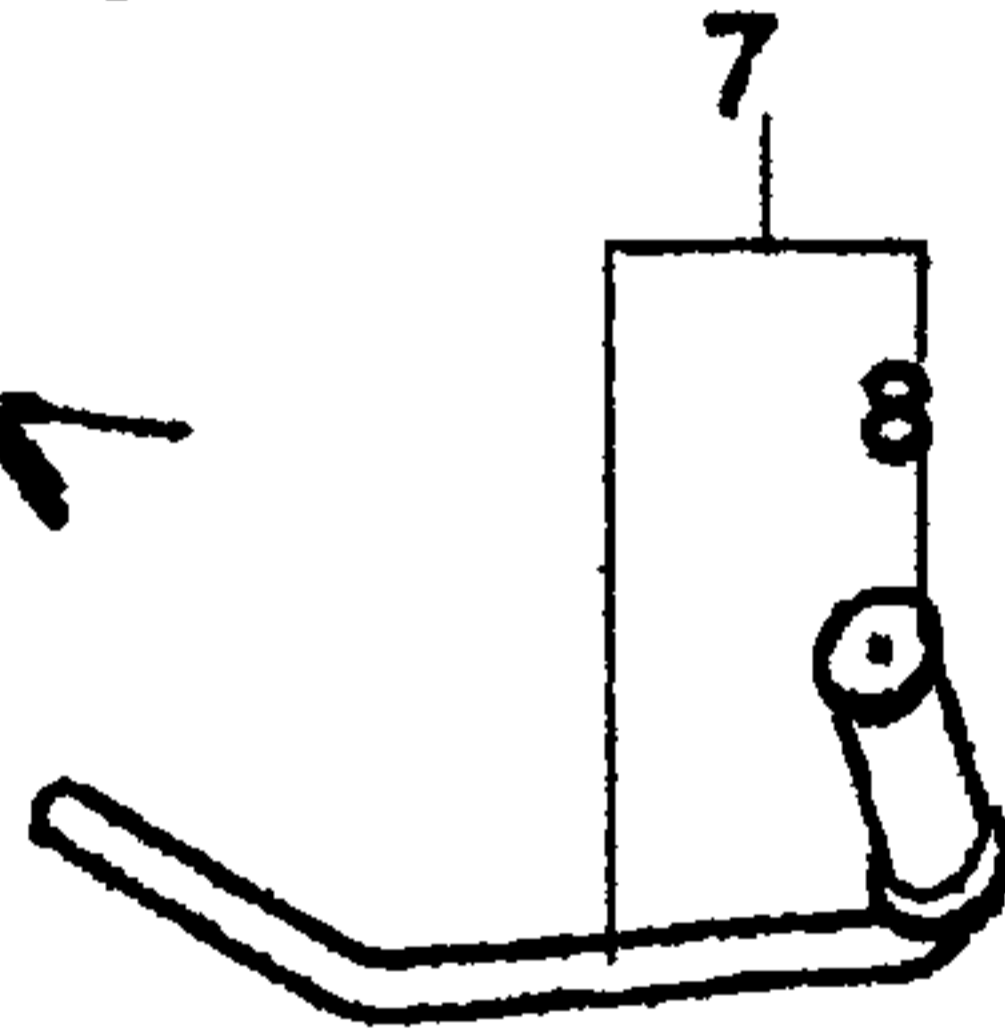
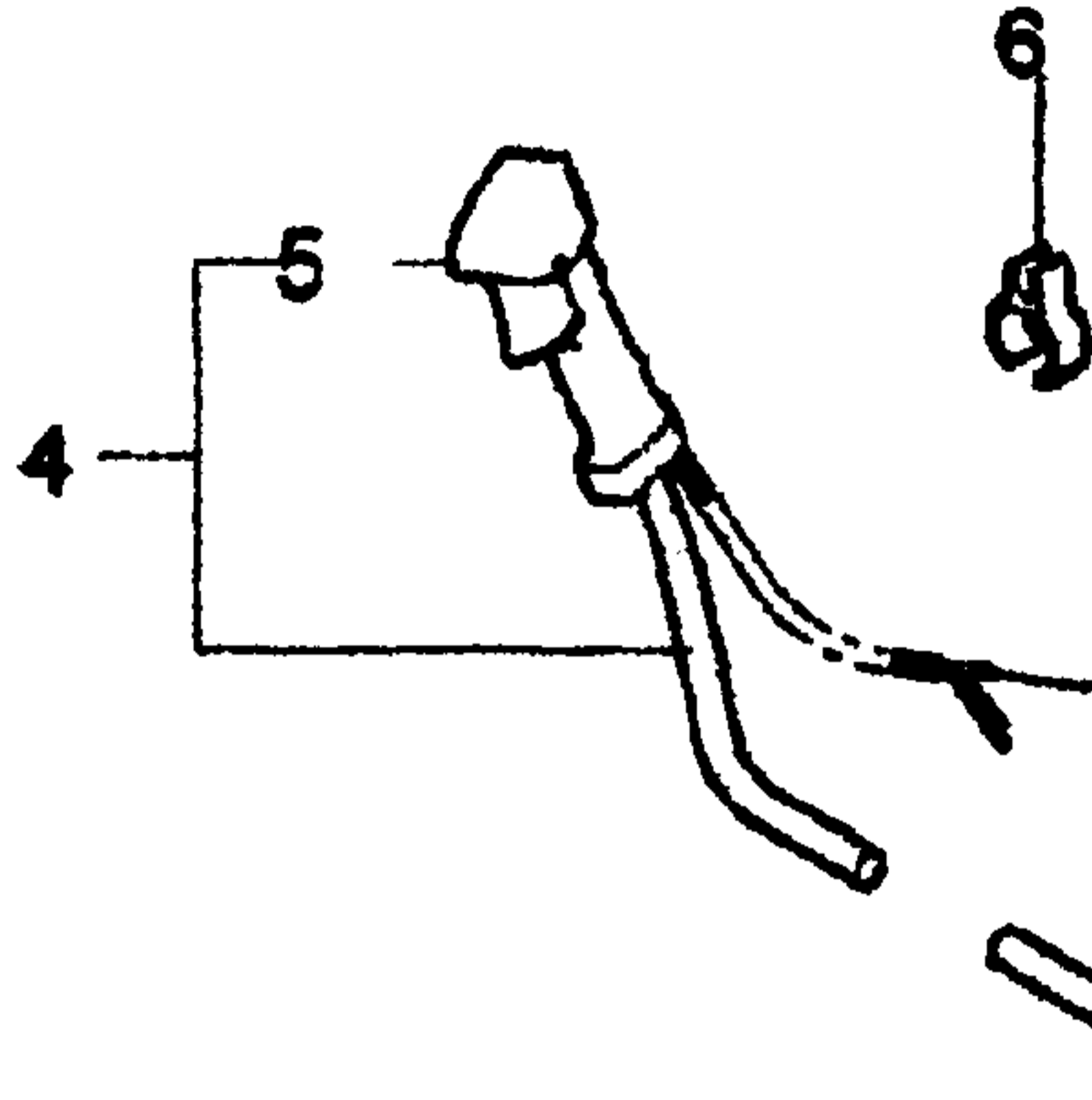
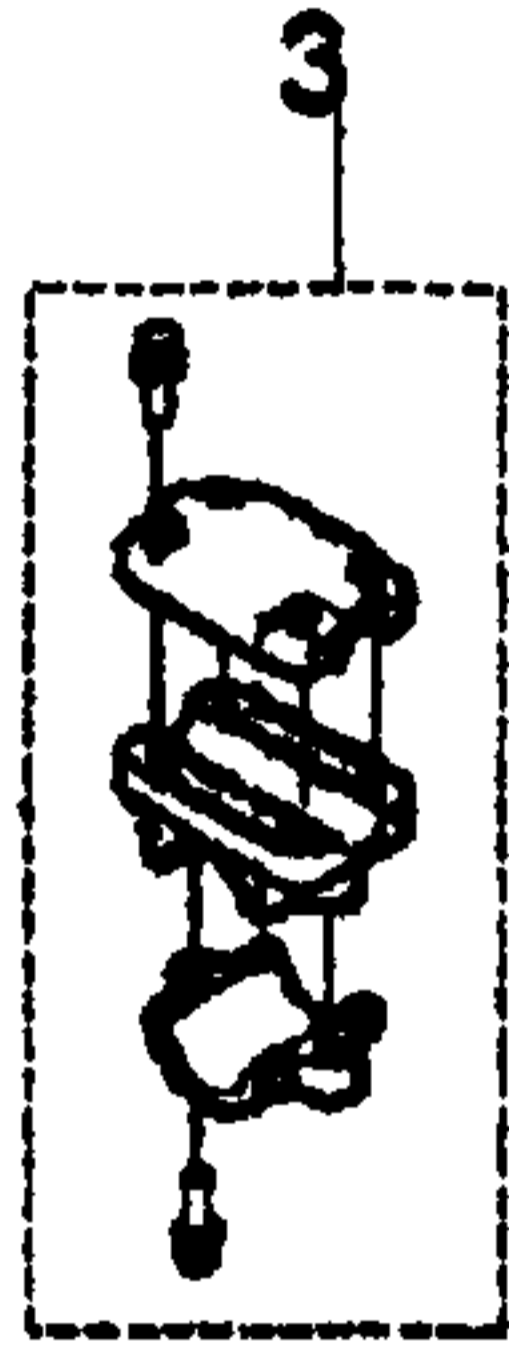
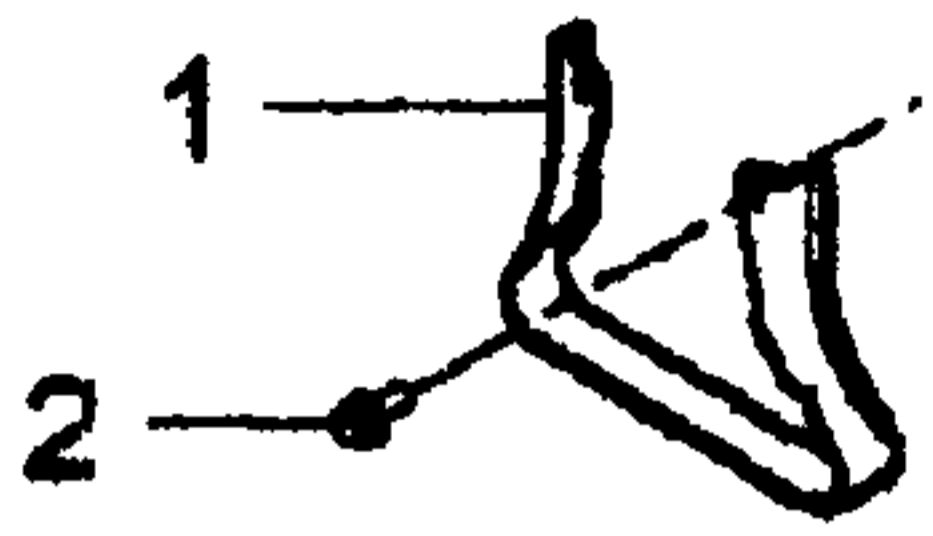
**VS251/253(S)(W)**  
Gear case and Driving apparatus



REF. No.	PARTS Lv.	PARTS NO.		PARTS NAME	Q'TY				RECOMM.	REMARKS
					VS251(S)	VS253(S)	VS251(W)	VS253(W)		
1	1	71008	357	GEAR CASE ASS'Y	1	1	1	1		
2	2	51001	272	GEAR CASE	1	1	1	1		
3	2	78001	139	BEVEL GEAR	1	1	1	1		
4	2	64001	173	SPLINE SHAFT	1	1	1	1		
5	2	913B	0626	BEARING	1	1	1	1		(626OP)
6	2	919B	6001	BEARING	1	1	1	1		(6001OPC3)
7	2	78002	155	BEVEL PINION	1	1	1	1		
8	2	916B	0609	BEARING	1	1	1	1		(608DD)
9	2	913B	0609	BEARING	1	1	1	1		(609OP)
10	2	61002	196	OIL SEAL	1	1	1	1		(NSK DS16284)
11	2	51079	119	COVER C.P.	1	1	1	1		
12	2	11002	145	HOLDER(B)	1	1	1	1		
13	2	31001	117	SAW LOCK NUT	1	1	1	1		
14	2	11027	118	STABILIZER	1	1	1	1		
15	2	812V	0900	C-SNAP RING FOR SHAFT	1	1	1	1		φ9
16	2	811V	2400	C-SNAP RING FOR HOLE	1	1	1	1		φ24
17	2	811V	2800	C-SNAP RING FOR HOLE	1	1	1	1		φ28
18	2	322N	0810	(+)HEXAGON BOLT	1	1	1	1		M8 × 10
19	2	412N	0525	SOCKET SCREW	1	1	1	1		M5 × 25
20	2	413N	0515	SOCKET SCREW(W/SW)	1	1	1	1		M5 × 15
21	1	71130	174	MAIN PIPE C.P.	1	1	1	1		
22	1	64011	163	MAIN SHAFT	1	1	1	1		
23	1	71056	216	THROTTLE LEVER ASS'Y		1				
	1	71056	229	THROTTLE LEVER ASS'Y	1					
24	1	36011	104	MAIN GRIP(R)			1	1		



**V8251/2538, V8251/253W**  
**Frame and Fittings**



					2004. 04.01					
REF. No.	PARTS Lv.	PARTS NO.			PARTS NAME	QTY				REMARKS
						VS251(S)	VS253(S)	VS251(W)	VS253(W)	
1	1	11024	126	09	STAND	1	1	1	1	
2	1	416N	0620		SOCKET SCREW(W/SW,PW)	4	4	4	4	M6x20
3	1	71011	156		HANDLE JOINT ASS'Y			1	1	
4	1	71014	346		HANDLE ASS'Y			1		
	1	71014	360		HANDLE ASS'Y				1	
5	2	71056	223		THROTTLE LEVER ASS'Y				1	
	2	71056	225		THROTTLE LEVER ASS'Y			1		
6	1	51002	109		WIRE HOLDER			1	1	
7	1	71014	345		HANDLE ASS'Y			1	1	
8	2	36007	154		HANDLE GRIP			1	1	
9	1	71304	101		SINGLE HANDLE SET	1	1			
10	1	11029	138		SAFETY GUARD BAND	1	1	1	1	
11	1	71038	170		SAFETY GUARD BAND SET	1	1	1	1	
12	1	71303	103		SAFETY GUARD SET	1	1	1	1	
13	1	36063	189		SHOULDER BAND	1	1	1	1	
14	1	36044	107		BLADE COVER	1	1	1	1	
15	1	66006	120		BOX SPANNER	1	1	1	1	13x19
16	1	66007	103		L WRENCH	1	1	1	1	4
17	1	66007	104		L WRENCH	1	1	1	1	5
18	1	71037	182		NYLON CUTTER SET	1	1	1	1	